

Color Controller RC-200 (G528)

PARTS CATALOG

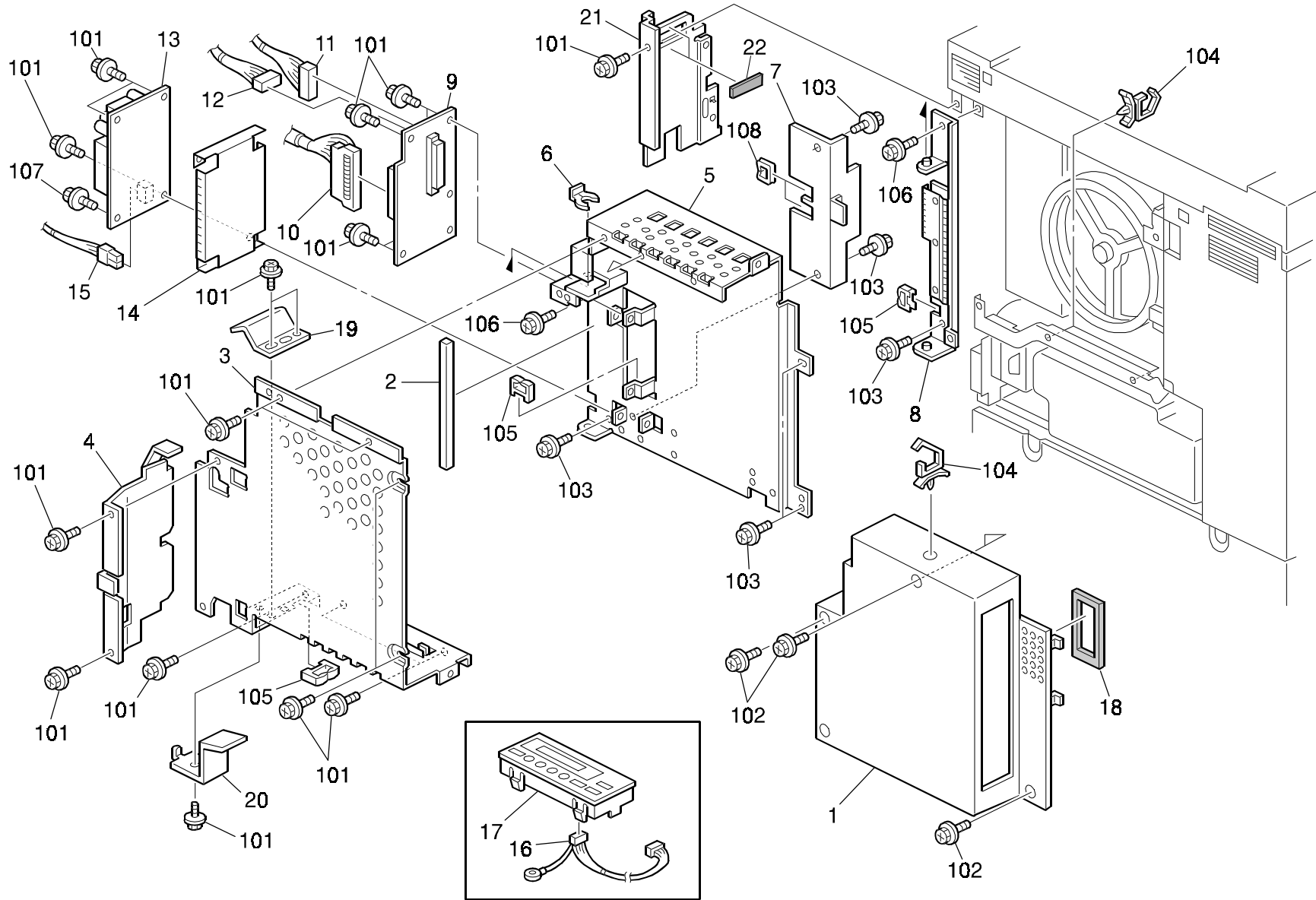
INTRODUCTION

This chapter instructs you the numbers and names of parts on this machine.

INDEX to PARTS CATALOG

1.CONTROLLER RC-200 1 (G528)	2
2.CONTROLLER RC-200 2 (G528)	4
3.CONTROLLER BOARD (G528)	6
PARTS INDEX	11

1.CONTROLLER RC-200 1 (G528)

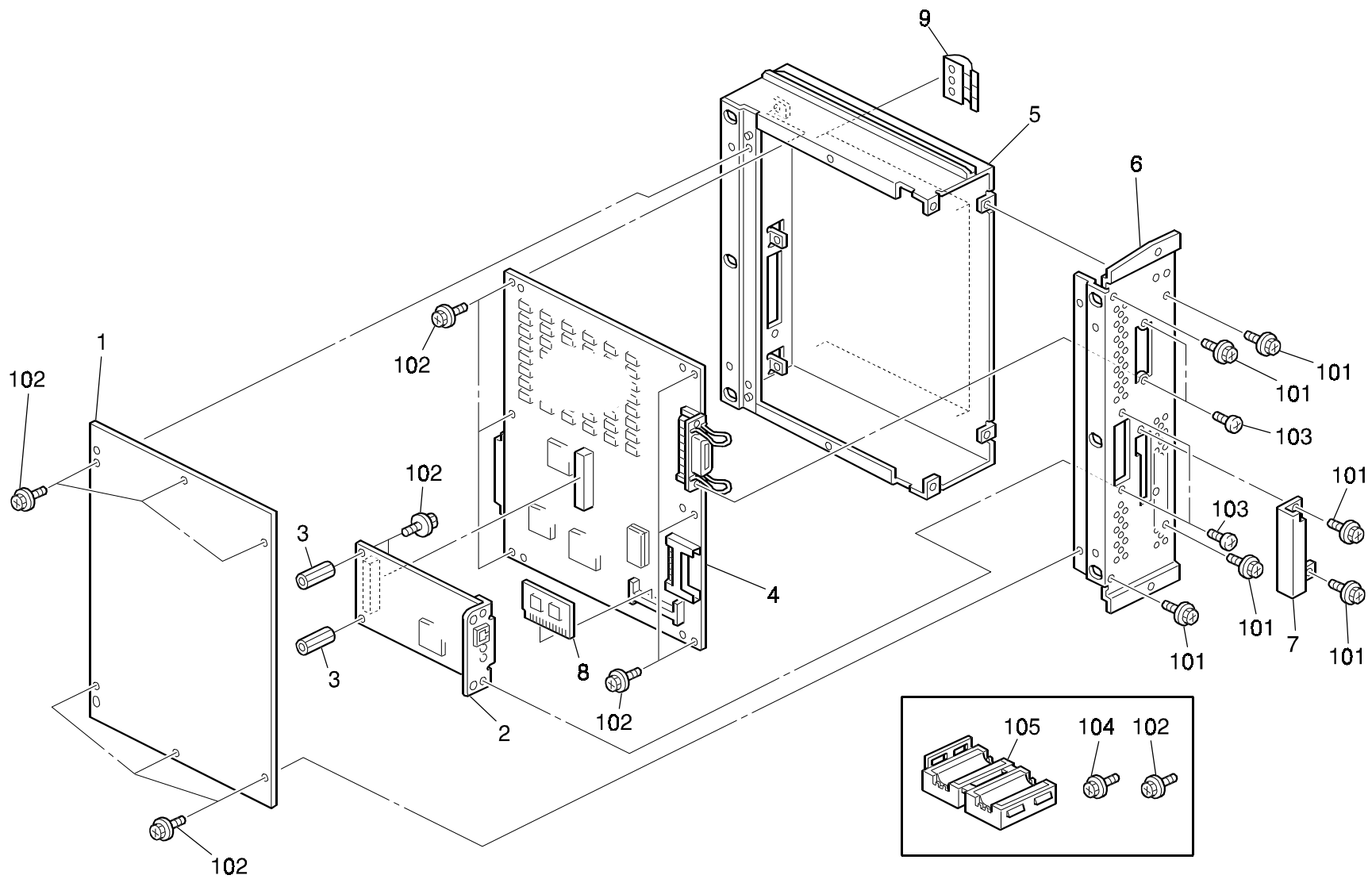


1.CONTROLLER RC-200 1 (G528)

Index No.	Part No.	Description	Q'ty Per Assembly
1	A848 1251	Controller Cover	1
2	A848 5877	Seal - UC300286-165 - 6x6x165	1
3	A848 5834	Rear Upper Frame	1
4	A848 5871	PSU Front Cover	1
5	A848 5808	Upper Front Frame	1
6	G011 1058	Snap Ring	1
7	A848 5866	Shielding Plate	1
8	A848 1046	Interface Unit Bracket	1
9	A848 5112	PCB BUSSW	1
10	A848 5217	VIDEO-MB I/F Harness	1
11	A848 5220	Interface Harness - Main MB	1
12	A848 5212	DC Power Supply Harness	1
13	A848 5300	Power Supply Unit - 120V 54W	1
13	A848 5310	Power Supply Unit - 230V 54W	1
14	A848 5848	Power Supply Unit Cover	1
15	A848 5221	AC Harness	1
16	A848 5219	Display Harness	1
17	G528 6661	Control Panel - NA	1
17	G528 6665	Control Panel - EU	1
18	A848 1256	Seal - 28x60	1
19	A848 5878	Guide Plate	1
20	A848 5879	Grounding Plate	1
21	A848 5860	Harness Shield Plate	1
22	A848 5864	Gasket- UC300285 - 40	2

Index No.	Part No.	Description	Q'ty Per Assembly
101	0451 3006B	Tapping Screw - M3X6	
102	0451 4006H	Tapping Screw - M4X6	
103	0451 4006B	Tapping Screw - 4X6	
104	1105 0291	Harness Clamp - LWS-3S	
105	1105 0329	Clamp - ES-0510	
106	0954 4008Z	Double Sens Screw - M4X8	
107	0954 3006Z	Screw - M3X6	
108	1105 0352	Clamp	

2.CONTROLLER RC-200 2 (G528)



2.CONTROLLER RC-200 2 (G528)

Index No.	Part No.	Description	Q'ty Per Assembly
1	G528 1016	Cover - Base Frame	1
2	G678 5714	PCB - Network Interface Board	1
3	G528 1050	Spacer	2
4	G528 5731	Controller Board	1
5	G528 1011	Base Frame	1
6	G528 1007	Right Cover - Base Frame	1
7	G528 1021	Cover - IC Card	1
8	G528 5732	Dimm - Rps 2	1
9	A133 7887	Spring Plate - HDD	4

Index No.	Part No.	Description	Q'ty Per Assembly
101	0451 3006H	Tapping Screw - 3x6	
102	0451 3006B	Tapping Screw - M3x6	
103	0353 0060Z	Screw - M3X6	
104	0451 4008B	Philips Tapping Screw - M4x8	
105	1607 0508	Ferrite Core	

3.CONTROLLER BOARD (G528)

CAPACITOR

SYMBOL NO.	INDEX NO.	SYMBOL NO.	INDEX NO.	SYMBOL NO.	INDEX NO.	SYMBOL NO.	INDEX NO.	SYMBOL NO.	INDEX NO.	SYMBOL NO.	INDEX NO.	SYMBOL NO.	INDEX NO.
C 1	145	C 11	152	C 21	148	C 31	148	C 41	148	C 51	152	C 61	152
C 2	146	C 12	147	C 22	148	C 32	148	C 42	148	C 52	146	C 62	147
C 3	125	C 13	146	C 23	148	C 33	148	C 43	148	C 53	123	C 63	123
C 4	153	C 14	148	C 24	148	C 34	148	C 44	148	C 54	123	C 64	153
C 5	153	C 15	148	C 25	148	C 35	148	C 45	148	C 55	122	C 65	153
C 6	144	C 16	148	C 26	148	C 36	148	---	--	C 56	152	C 66	148
C 7	153	C 17	148	C 27	148	C 37	148	---	--	C 57	147	C 67	122
C 8	153	C 18	124	C 28	148	C 38	148	C 48	145	C 58	144	C 68	123
C 9	123	C 19	148	C 29	148	C 39	148	C 49	123	C 59	122	C 69	150
C 10	122	C 20	148	C 30	148	C 40	148	C 50	147	C 60	151	C 70	123

CAPACITOR

SYMBOL NO.	INDEX NO.	SYMBOL NO.	INDEX NO.	SYMBOL NO.	INDEX NO.	SYMBOL NO.	INDEX NO.	SYMBOL NO.	INDEX NO.	SYMBOL NO.	INDEX NO.	SYMBOL NO.	INDEX NO.
C 71	152	C 81	152	C 91	147	C 101	152	C 111	153	C 121	122	C 131	122
C 72	147	C 82	148	C 92	152	C 102	147	C 112	148	C 122	152	C 132	147
C 73	150	C 83	122	C 93	122	C 103	147	C 113	144	C 123	147	C 133	152
C 74	122	C 84	123	C 94	147	C 104	123	C 114	147	C 124	145	C 134	122
C 75	148	C 85	152	C 95	152	C 105	122	C 115	152	C 125	123	C 135	123
C 76	122	C 86	147	C 96	122	C 106	152	C 116	122	C 126	153	C 136	147
C 77	123	C 87	122	C 97	123	C 107	152	C 117	148	C 127	153	C 137	152
C 78	148	C 88	153	C 98	123	C 108	153	C 118	148	C 128	153	C 138	124
C 79	147	C 89	153	C 99	123	C 109	146	C 119	123	C 129	153	C 139	145
C 80	148	C 90	153	C 100	122	C 110	124	C 120	123	C 130	153	C 140	123

3.CONTROLLER BOARD (G528)

CAPACITOR

SYMBOL NO.	INDEX NO.	SYMBOL NO.	INDEX NO.	SYMBOL NO.	INDEX NO.	SYMBOL NO.	INDEX NO.	SYMBOL NO.	INDEX NO.	SYMBOL NO.	INDEX NO.	SYMBOL NO.	INDEX NO.
C 141	144	C 151	146	C 161	149	C 171	153	C 181	153	C 191	149	C 201	149
C 142	124	C 152	153	C 162	153	C 172	149	C 182	126	C 192	149	C 202	145
C 143	152	C 153	153	C 163	153	C 173	149	C 183	149	C 193	145	C 203	153
C 144	124	C 154	153	C 164	149	C 174	153	C 184	149	C 194	153	C 204	153
C 145	123	C 155	149	C 165	149	C 175	153	C 185	153	C 195	153	C 205	149
C 146	144	C 156	149	C 166	153	C 176	149	C 186	153	C 196	149	C 206	149
C 147	147	C 157	145	C 167	153	C 177	149	C 187	149	C 197	149	C 207	153
---	--	C 158	153	C 168	149	C 178	145	C 188	149	C 198	153	C 208	153
C 149	122	C 159	153	C 169	149	C 179	153	C 189	153	C 199	153	C 209	126
C 150	123	C 160	149	C 170	153	C 180	153	C 190	153	C 200	149	C 210	126

CAPACITOR

SYMBOL NO.	INDEX NO.	SYMBOL NO.	INDEX NO.	SYMBOL NO.	INDEX NO.	SYMBOL NO.	INDEX NO.	SYMBOL NO.	INDEX NO.
C 211	126	C 221	149	C 231	153	C 241	149	C 251	153
C 212	149	C 222	153	C 232	149	C 242	153	C 252	149
C 213	149	C 223	153	C 233	149	C 243	153	C 253	149
C 214	153	C 224	149	C 234	153	C 244	149	C 254	153
C 215	153	C 225	149	C 235	153	C 245	149	C 255	153
C 216	149	C 226	153	C 236	149	C 246	153	C 256	149
C 217	149	C 227	153	C 237	149	C 247	153	C 257	149
C 218	153	C 228	149	C 238	153	C 248	149	C 258	153
C 219	153	C 229	149	C 239	153	C 249	149	C 259	153
C 220	149	C 230	153	C 240	149	C 250	153	C 260	145

CONNECTOR

SYMBOL NO.	INDEX NO.	SYMBOL NO.	INDEX NO.
C 261	145	CN 1	105
		CN 2	101
		CN 4	102
		CN 7	103
		CN 8	104

3.CONTROLLER BOARD (G528)

DIODE

SYMBOL NO.	INDEX NO.
D 1	108

FILTER

SYMBOL NO.	INDEX NO.
FIL 1	127
FIL 2	127
FIL 14	127

IC

SYMBOL NO.	INDEX NO.
---	--
IC 2	119
IC 3	3
IC 4	116
IC 5	116
IC 6	6
IC 7	109
IC 8	110
IC 9	112
IC 10	5

SYMBOL NO.	INDEX NO.
IC 11	118
(Socket)	106
IC 12	112
IC 13	112
IC 14	117
IC 15	114
IC 16	113
IC 17	4
IC 18	2
IC 19	1
IC 20	111

SYMBOL NO.	INDEX NO.
IC 21	111
IC 22	111
IC 23	154
IC 24	154
IC 25	154
IC 26	154
IC 27	154
IC 28	154
IC 29	154
IC 30	154

SYMBOL NO.	INDEX NO.
IC 31	154
IC 32	154
IC 33	154
IC 34	154
IC 35	111
IC 36	154
IC 37	154
IC 38	154
IC 39	154
IC 40	154

SYMBOL NO.	INDEX NO.
IC 41	154
IC 42	154
IC 43	154
IC 44	154
IC 45	154
IC 46	154
IC 47	154
IC 48	115
IC 49	154
IC 50	154

CAPACITOR

SYMBOL NO.	INDEX NO.
IC 51	154
IC 52	154
IC 53	154
IC 54	154
IC 55	154
IC 56	154
IC 57	154
IC 58	154
IC 59	154
IC 60	154

SYMBOL NO.	INDEX NO.
IC 61	154
IC 62	154
IC 63	154
IC 64	154
IC 65	154
IC 66	154
IC 67	154
IC 68	154
IC 69	154
IC 70	154

SYMBOL NO.	INDEX NO.
IC 71	154
IC 72	154

JP

SYMBOL NO.	INDEX NO.
---	--
JP 2	143
JP 3	142
JP 4	143
JP 5	143
---	--
JP 7	143
JP 8	143
JP 9	143
JP 10	143

SYMBOL NO.	INDEX NO.
JP 11	143
JP 12	143
JP 13	143
JP 14	143
JP 15	143
JP 16	143
JP 17	143
JP 18	142
JP 19	142
JP 20	142

SYMBOL NO.	INDEX NO.
JP 21	142
JP 22	142
JP 23	142
JP 24	142

OSC

SYMBOL NO.	INDEX NO.
OSC 1	121

REG

SYMBOL NO.	INDEX NO.
REG 1	120

3.CONTROLLER BOARD (G528)

RESISTOR

SYMBOL NO.	INDEX NO.	SYMBOL NO.	INDEX NO.	SYMBOL NO.	INDEX NO.	SYMBOL NO.	INDEX NO.	SYMBOL NO.	INDEX NO.	SYMBOL NO.	INDEX NO.	SYMBOL NO.	INDEX NO.
R 1	129	R 11	137	R 21	129	R 31	129	R 41	129	R 51	139	R 61	137
---	--	R 12	137	R 22	129	R 32	129	R 42	129	R 52	139	R 62	137
R 3	132	R 13	137	R 23	129	R 33	129	R 43	129	R 53	137	R 63	137
R 4	130	R 14	137	R 24	129	R 34	129	R 44	129	R 54	137	R 64	137
---	--	R 15	137	R 25	129	R 35	129	R 45	129	R 55	137	R 65	137
R 6	135	R 16	129	R 26	129	R 36	129	R 46	129	R 56	137	R 66	137
R 7	137	R 17	129	R 27	129	R 37	129	R 47	141	R 57	137	R 67	137
R 8	137	R 18	129	R 28	129	R 38	129	---	--	R 58	137	R 68	137
R 9	137	R 19	129	R 29	129	R 39	129	---	--	R 59	137	R 69	137
R 10	137	R 20	129	R 30	129	R 40	129	R 50	140	R 60	137	R 70	137

RESISTOR

SYMBOL NO.	INDEX NO.	SYMBOL NO.	INDEX NO.	SYMBOL NO.	INDEX NO.	SYMBOL NO.	INDEX NO.	SYMBOL NO.	INDEX NO.	SYMBOL NO.	INDEX NO.	SYMBOL NO.	INDEX NO.
R 71	137	R 81	137	R 91	137	R 101	140	R 111	137	R 121	137	R 131	143
R 72	137	R 82	137	R 92	137	R 102	140	R 112	137	R 122	137	R 132	137
R 73	137	R 83	137	R 93	129	R 103	140	R 113	137	R 123	137	R 133	137
R 74	137	R 84	137	R 94	129	R 104	140	R 114	137	R 124	137	R 134	137
R 75	129	R 85	137	R 95	129	R 105	140	R 115	129	R 125	137	R 135	137
R 76	137	R 86	137	---	--	R 106	140	R 116	129	R 126	137	R 136	137
R 77	137	R 87	137	R 97	137	R 107	137	---	--	R 127	133	R 137	128
R 78	137	R 88	137	R 98	140	R 108	137	---	--	---	--	R 138	136
R 79	137	R 89	137	R 99	135	R 109	137	R 119	137	---	--	R 139	136
R 80	137	R 90	137	R 100	135	R 110	137	R 120	137	R 130	137	R 140	134

3.CONTROLLER BOARD (G528)

RESISTOR

SYMBOL NO.	INDEX NO.	SYMBOL NO.	INDEX NO.	SYMBOL NO.	INDEX NO.	SYMBOL NO.	INDEX NO.	SYMBOL NO.	INDEX NO.	SYMBOL NO.	INDEX NO.
R 141	134	R 151	137	R 161	137	R 171	135	R 181	140	R 191	140
R 142	138	R 152	137	R 162	137	R 172	140	R 182	129	R 192	129
R 143	137	R 153	137	R 163	137	R 173	140	R 183	140	R 193	140
R 144	137	R 154	137	R 164	137	R 174	140	R 184	129	R 194	140
R 145	137	R 155	137	R 165	137	R 175	140	R 185	140	R 195	140
R 146	137	R 156	137	R 166	137	R 176	140	R 186	129	R 196	140
R 147	137	R 157	137	R 167	137	R 177	140	R 187	140	R 197	140
R 148	137	R 158	137	R 168	137	R 178	129	R 188	129	R 198	140
R 149	137	R 159	137	R 169	137	R 179	140	R 189	140	R 199	137
R 150	137	R 160	137	R 170	135	R 180	129	R 190	129	R 200	136
										R 201	134
										R 202	138
										R 203	137
										R 204	137
										R 205	137
										R 206	137
										R 207	140
										R 208	140
										R 209	140
										R 210	140

SYMBOL NO.	INDEX NO.	SYMBOL NO.	INDEX NO.	SYMBOL NO.	INDEX NO.	SYMBOL NO.	INDEX NO.	SYMBOL NO.	INDEX NO.	SYMBOL NO.	INDEX NO.
R 211	140	R 221	140	R 231	135	R 241	135	R 251	129	R 261	
R 212	140	R 222	140	R 232	135	R 242	131	R 252	129	R 262	
R 213	140	R 223	140	R 233	135	R 243	129	R 253	129	R 263	
R 214	140	R 224	131	R 234	135	R 244	129	R 254	140	R 264	
R 215	140	R 225	131	R 235	135	R 245	129	R 255	137	R 265	
R 216	140	R 226	129	R 236	135	R 246	129	R 256	137	R 266	
R 217	140	R 227	135	R 237	135	R 247	129	R 257	137	R 267	
R 218	140	R 228	135	R 238	135	R 248	129	R 258	137	R 268	
R 219	140	R 229	140	R 239	135	R 249	129	R 259	137	R 269	
R 220	140	R 230	135	R 240	135	R 250	129	R 260	137	R 270	
										R 271	137
										R 272	137
										R 273	137
										R 274	137
										R 275	137
										R 276	137
										R 277	137
										R 278	137
										R 279	129
										R 280	137

RESISTOR

SYMBOL NO.	INDEX NO.	SYMBOL NO.	INDEX NO.	SYMBOL NO.	INDEX NO.	SYMBOL NO.	INDEX NO.	SYMBOL NO.	INDEX NO.	SYMBOL NO.	INDEX NO.	SYMBOL NO.	INDEX NO.
R 281	137	R 291	137	R 301	137	R 311	129	R 321	137	R 331	129	R 341	135
R 282	137	R 292	137	R 302	137	R 312	129	R 322	137	R 332	129	R 342	129
R 283	137	R 293	137	R 303	137	R 313	129	R 323	137	R 333	129	R 343	129
R 284	137	R 294	137	R 304	137	R 314	129	R 324	137	R 334	129	R 344	129
R 285	137	R 295	137	R 305	137	R 315	129	R 325	137	R 335	129	R 345	129
R 286	137	R 296	137	R 306	137	R 316	137	---	--	R 336	129	R 346	129
R 287	137	R 297	137	R 307	137	R 317	137	R 327	135	R 337	129	R 347	129
R 288	137	R 298	137	R 308	137	R 318	137	R 328	129	R 338	129	R 348	129
R 289	137	R 299	137	R 309	129	R 319	137	R 329	129	R 339	135	R 349	129
R 290	137	R 300	137	R 310	129	R 320	137	R 330	129	R 340	135	R 350	129

RESISTOR

SYMBOL NO.	INDEX NO.	SYMBOL NO.	INDEX NO.
R 351	129	R 361	129
R 352	129	R 362	129
---	--	R 363	129
---	--	R 364	129
R 355	129	R 365	129
R 356	129	R 366	129
R 357	129	R 367	129
R 358	129	R 368	129
R 359	129	R 369	129
R 360	129	R 370	129

SW

SYMBOL NO.	INDEX NO.	SYMBOL NO.	INDEX NO.
R 371	129	SW 2	107

3.CONTROLLER BOARD (G528)

Index No.	Part No.	Description	Q'ty Per Assembly
*	G528 5731	Controller Board	1
1	G021 5934	IC - LHMN5KN0	1
2	G021 5935	IC - LHMN5KN1	1
3	G024 5410	IC - UPD65843GN-44-LMU	1
4	G024 5411	IC - RF5C389	1
5	G024 5412	IC - FCI2.5C	1
6	G024 5415	IC - UPD30210-177	1

Index No.	Part No.	Description	Q'ty Per Assembly
101	1102 7358	Connector - 80P	
102	1102 7553	Connector Sx1ba-72s-0.635sh	
103	1102 7785	Connector-57re40360830bd29b	
104	1102 8011	Connector - FCN-565P068-G/F-V4	
105	1102 8045	Connector 53318-0960	
106	1104 0377	IC Socket - 28P - DICF-28CS-E	
107	1204 2368	Dip Switch - DSS804	
108	1402 1343	Diode - RB106L-40	
109	1407 1747	TTLIC - SN74LS273NS	
110	1407 3292	IC - TC74HCT244AF	
111	1407 3729	IC - TC74ACT245F	
112	1407 4322	IC - TD74ABT374F	
113	1407 4323	TTL - TD74ABT244F	
114	1407 4324	TTL TD74ABT240F	
115	1407 4742	TTL - 74F1071MSA	
116	1407 4963	IC - MBM29F800TA-70pFTN	
117	1407 5016	IC - CMOS-74IVX161284MEA	
118	1407 5098	IC - AT28C64E-15PC	
119	1408 0611	IC - 3771	
120	1408 1350	Regulator - Pq3rf23	
121	1503 0834	Oscillator - 44MHZ	
122	1605 0677	Capacitor - 0.082 μ F \pm 10% 50V	
123	1605 0738	Capacitor - 0.01 μ F25V	
124	1605 0801	Capacitor - 0.01 μ F \pm 20%	
125	1605 0942	Capacitor - 0.22 μ F+80 -20% 5	
126	1606 1189	Capacitor - 200pF \pm 5% 50V	
127	1607 0978	Inductor - BLM21P300SPB	
128	1630 4101	Resistor - 100 Ω \pm 5% 1/16W	
129	1630 4103	Resistor - 10K Ω \pm 5% 1/16W	
130	1630 4104	Resistor - 100 Ω \pm 5% 1/16W	
131	1630 4122	Resistor - 1.2K Ω 5% 1/16W	
132	1630 4124	Resistor - 120K Ω \pm 5%1/16W	
133	1630 4151	Resistor - 150 Ω \pm 5% 1/16w	
134	1630 4222	Resistor - 2.2K Ω \pm 5%	

Index No.	Part No.	Description	Q'ty Per Assembly
135	1630 4330	Resistor - 33 Ω \pm 5% 1/8W	
136	1630 4332	Resistor - 3.3K Ω \pm 5% 1/16	
137	1630 4470	Resistor - 470 Ω \pm 5% 1/16W	
138	1630 4472	Resistor - 4.7K Ω \pm 5% 1/16W	
139	1630 4519	Resistor - 5.1 Ω \pm 5% 1/16W	
140	1630 4680	Resistor - 68 Ω \pm 5% 1/16W	
141	1630 4752	Resistor - 7.5K Ω \pm 5%1/16W	
142	1633 0000	Resistor - 0 Ω 1/10W	
143	1634 0000	Resistor - 0 Ω 1/16W	
144	1642 2101	Capacitor - 100 Ω \pm 20% 25V	
145	1642 2470	Capacitor - 47 μ F \pm 20% 25V	
146	1643 1470	Capasitor - 47 μ F \pm 20% 16v	
147	1660 2471	Capacitor - 470pF - \pm 5% - 50	
148	1660 3220	Capacitor - 122pF \pm 5% 50V	
149	1660 3221	Capacitor - 220pF \pm 5% 50V	
150	1660 3680	Capacitor - 68pF \pm 5% 50V	
151	1660 5102	Capacitor - 1000pF \pm 10% 50V	
152	1660 5152	Capacitor - 1500pF \pm 10% 50V	
153	1660 9104	C - 0.1 μ F25V	
154	1903 1009	IC - DRAM 16M 4MX4 60NS EDO G	

Index No.	Part No.	Description	Q'ty Per Assembly

PARTS INDEX

Part No.	Description	Page and Index No.
G528 1007	Right Cover - Base Frame	5- 6
G528 1011	Base Frame	5- 5
G528 1016	Cover - Base Frame	5- 1
G528 1021	Cover - IC Card	5- 7
G528 1050	Spacer	5- 3
G528 5731	Controller Board	5- 4
G528 5731	Controller Board	9- *
G528 5732	Dimm - Rps 2	5- 8
G528 6661	Control Panel - NA	3- 17
G528 6665	Control Panel - EU	3- 17

Part No.	Description	Page and Index No.
G011 1058	Snap Ring	3- 6
G021 5934	IC - LHMN5KN0	9- 1
G021 5935	IC - LHMN5KN1	9- 2
G024 5410	IC - UPD65843GN-44-LMU	9- 3
G024 5411	IC - RF5C389	9- 4
G024 5412	IC - FCI2.5C	9- 5
G024 5415	IC - UPD30210-177	9- 6
G678 5714	PCB - Network Interface Board	5- 2

Part No.	Description	Page and Index No.
A133 7887	Spring Plate - HDD	5- 9
A848 1046	Interface Unit Bracket	3- 8
A848 1251	Controller Cover	3- 1
A848 1256	Seal - 28x60	3- 18
A848 5112	PCB BUSSW	3- 9
A848 5212	DC Power Supply Harness	3- 12
A848 5217	VIDEO-MB I/F Harness	3- 10
A848 5219	Display Harness	3- 16
A848 5220	Interface Harness - Main MB	3- 11
A848 5221	AC Harness	3- 15
A848 5300	Power Supply Unit - 120V 54W	3- 13
A848 5310	Power Supply Unit - 230V 54W	3- 13
A848 5808	Upper Front Frame	3- 5
A848 5834	Rear Upper Frame	3- 3
A848 5848	Power Supply Unit Cover	3- 14
A848 5860	Harness Shield Plate	3- 21
A848 5864	Gasket- UC300285 - 40	3- 22
A848 5866	Shielding Plate	3- 7
A848 5871	PSU Front Cover	3- 4
A848 5877	Seal - UC300286-165 - 6x6x165	3- 2
A848 5878	Guide Plate	3- 19
A848 5879	Grounding Plate	3- 20

Part No.	Description	Page and Index No.
0353 0060Z	Screw - M3X6	5-103
0451 3006B	Tapping Screw - M3x6	5-102
0451 3006B	Tapping Screw - M3X6	3-101
0451 3006H	Tapping Screw - 3x6	5-101
0451 4006B	Tapping Screw - 4X6	3-103
0451 4006H	Tapping Screw - M4X6	3-102
0451 4008B	Philips Tapping Screw - M4x8	5-104
0954 3006Z	Screw - M3X6	3-107
0954 4008Z	Double Sens Screw - M4X8	3-106
1102 7358	Connector - 80P	9-101
1102 7553	Connector Sx1ba-72s-0.635sh	9-102
1102 7785	Connector-57re40360830bd29b	9-103
1102 8011	Connector - FCN-565P068-G/F-V4	9-104
1102 8045	Connector 53318-0960	9-105
1104 0377	IC Socket - 28P - DICF-28CS-E	9-106
1105 0291	Harness Clamp - LWS-3S	3-104
1105 0329	Clamp - ES-0510	3-105
1105 0352	Clamp	3-108
1204 2368	Dip Switch - DSS804	9-107
1402 1343	Diode - RB106L-40	9-108
1407 1747	TTLIC - SN74LS273NS	9-109
1407 3292	IC - TC74HCT244AF	9-110
1407 3729	IC - TC74ACT245F	9-111
1407 4322	IC - TD74ABT374F	9-112
1407 4323	TTL - TD74ABT244F	9-113
1407 4324	TTL TD74ABT240F	9-114
1407 4742	TTL - 74F1071MSA	9-115
1407 4963	IC - MBM29F800TA-70PFTN	9-116
1407 5016	IC - CMOS-74IVX161284MEA	9-117
1407 5098	IC - AT28C64E-15PC	9-118
1408 0611	IC - 3771	9-119
1408 1350	Regulator - Pq3rf23	9-120
1503 0834	Oscillator - 44MHZ	9-121
1605 0677	Capacitor - 0.082 μ F \pm 10% 50V	9-122
1605 0738	Capacitor - 0.01 μ F 25V	9-123

Part No.	Description	Page and Index No.
1605 0801	Capacitor - 0.01 μ F \pm 20%	9-124
1605 0942	Capacitor - 0.22 μ F +80 -20% 5	9-125
1606 1189	Capacitor - 200pF \pm 5% 50V	9-126
1607 0508	Ferrite Core	5-105
1607 0978	Inductor - BLM21P300SPB	9-127
1630 4101	Resistor - 100 Ω \pm 5% 1/16W	9-128
1630 4103	Resistor - 10K Ω \pm 5% 1/16W	9-129
1630 4104	Resistor - 100 Ω \pm 5% 1/16W	9-130
1630 4122	Resistor - 1.2K Ω 5% 1/16W	9-131
1630 4124	Resistor - 120K Ω \pm 5%1/16W	9-132
1630 4151	Resistor - 150 Ω \pm 5% 1/16w	9-133
1630 4222	Resistor - 2.2K Ω \pm 5%	9-134
1630 4330	Resistor - 33 Ω \pm 5% 1/8W	9-135
1630 4332	Resistor - 3.3K Ω \pm 5% 1/16	9-136
1630 4470	Resistor - 470 Ω \pm 5% 1/16W	9-137
1630 4472	Resistor - 4.7K Ω \pm 5% 1/16W	9-138
1630 4519	Resistor - 5.1 Ω \pm 5% 1/16W	9-139
1630 4680	Resistor - 68 Ω \pm 5% 1/16W	9-140
1630 4752	Resistor - 7.5K Ω \pm 5%1/16W	9-141
1633 0000	Resistor - 0 Ω 1/10W	9-142
1634 0000	Resistor - 0 Ω 1/16W	9-143
1642 2101	Capacitor - 100 Ω \pm 20% 25V	9-144
1642 2470	Capacitor - 47 μ F \pm 20% 25V	9-145
1643 1470	Capasitor - 47 μ F \pm 20% 16v	9-146
1660 2471	Capacitor - 470pF - \pm 5% - 50	9-147
1660 3220	Capacitor - 122pF \pm 5% 50V	9-148
1660 3221	Capacitor - 220pF \pm 5% 50V	9-149
1660 3680	Capacitor - 68pF \pm 5% 50V	9-150
1660 5102	Capacitor - 1000pF \pm 10% 50V	9-151
1660 5152	Capacitor - 1500pF \pm 10% 50V	9-152
1660 9104	C - 0.1 μ F 25V	9-153
1903 1009	IC - DRAM 16M 4MX4 60NS EDO G	9-154

Part No.	Description	Page and Index No